

Intelligent Machine.
Effortless Production.
Superior Results.



Wet Dental Mill
DWX-42W Plus



From in-clinic to dedicated high-production labs, the DWX-42W Plus is engineered to fit your milling needs.

Elevated Performance



6-Station Automatic Tool Changer (ATC)

for uninterrupted production



Brand new burs offer

GREATER STABILITY & FINE MILLING QUALITY



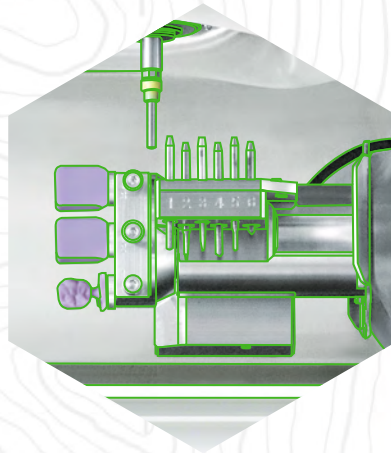
Newly designed NOZZLES & COOLANT TANK

for greater flow and capacity



50% FASTER

than the previous generation DGSHAPE wet mill



A Mill That Fits Your Needs

Dental Laboratories

- Expand production by adding a standalone wet-milling option designed for glass ceramic and composite resin materials
- Get the same open architecture flexibility and high-quality performance as DGSHAPE dry mills, in a wet-milling configuration
- On-demand production of high-esthetic, dental restorations

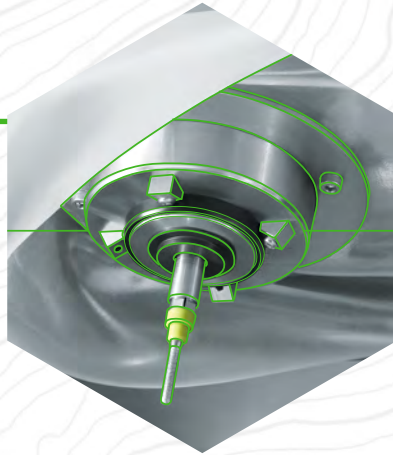
Clinicians & DSOs:

- Provide your patients with quality, esthetic same-day restorations with precision and ease
- Open-architecture allows for seamless integration with your choice of intra-oral scanner and CAD software.
- CAM Software Included
- Compatible with a wide variety of materials including: No fire lithium disilicate, Amber® Mill Direct and fully-sintered zirconia blocks



Incredibly Accurate, High Quality Esthetics Restorations

Specifically designed for wet milling of lithium disilicates, glass ceramics, hybrid ceramics, fully-sintered zirconia, and pre-mill titanium blanks to produce high-quality, esthetic crowns, bridges, veneers, inlays, onlays, and custom titanium abutments.



Specially Designed Spindle

▼ **50% LESS**
Air Pressure Needed

Optimum performance with less air pressure and volume



Designed and built by DGSHAPE— using over 35-years of cutting-edge engineering excellence for milling of the latest technology in restorative materials



A robust, all metal spindle offers solid performance and maximum efficiency



Doesn't require a high-volume compressor—perfect for in-clinic labs

Enhanced User Experience



CAM Software Included

Easy-to-use, open-architecture CAM software accepts all STL files and supports the milling of relevant materials.



Upgraded V-Panel

Complex controls are replaced with an easy interface to monitor milling jobs and tool life.



DGSHAPE CLOUD

Enables real-time remote monitoring of DWX devices. Access anywhere, anytime, any device.





Wet Dental Mill
DWX-42W Plus

Uninterrupted wet milling of up to three different glass ceramic and composite resin pin-types with ultimate precision and accuracy.

| Specifications | | |
|----------------------------------|--|----------------------------|
| Millable material | Lithium Disilicate, Glass Ceramics, Pre-sintered Zirconia, Hybrid Ceramics, and Composite Resins | |
| Loadable workpiece shape | Width | Maximum 40 mm (1.57 in) |
| | Depth | Maximum 20 mm (0.79 in) |
| | Height | Maximum 20 mm (0.79 in) |
| Operating speed | 6 to 1,800 mm/min. (0.24 to 70.9 in./min.) | |
| Spindle speed | 15,000 to 60,000 rpm | |
| Rotary axis travel angle | A: $\pm 360^\circ$ | |
| Number of burs housed | 6 | |
| Attachable bur | Shank diameter: 3 mm, dedicated milling bur | |
| Compatible compressed air | Pressure | 0.18 to 0.22 MPA |
| | Air Capacity | 114 L/min (30 gal) or more |
| | Tank Capacity | 33 L (8.7 gal) or more |
| Interface | USB | |
| Power requirements | AC 100 to 240 V $\pm 10\%$, 50/60 Hz (overvoltage category II, IEC 60664-1), 2.1 A | |
| Power consumption | Approximately 190 W | |
| Operating noise | During operation : 70 dB(A) or less (when not cutting), During standby: 48 dB(A) or less | |
| External dimensions | Width \times Depth \times Height: 482 \times 560 \times 600 mm (19.0 \times 22.0 \times 23.6 in.) | |
| Weight | 61 kg (135 lbs.) | |
| Installation environment | Indoor use, Altitude: Up to 6,562 ft. (2,000m), Temperature: 41 to 82 °F (5 to 28°C), Humidity: 35 to 80%RH (no condensation), Ambient pollution degree: 2 (as specified by IEC 60664-1), Short-term temporary overvoltage: 1,440 V, Long-term temporary overvoltage: 490 V | |
| Included items | Power cord, USB cable, Roland DG Software Package CD, setup guide, drain hoses, dedicated milling burs (4), detection pin, dummy pin, rotary axis correction jig, ATC magazine correction jig and screw, hexagonal screwdriver, hexagonal wrench, measuring cup, mounting screws (4), milling bur removal jig, coolant tank, waste receptacle, filters (2), regulator with stay and screws (2), maintenance kit, daily maintenance card, 6 mm air hose, coolant additive, MillBox CAM software, Ethernet cable | |

DGSHAPE, A Roland Company 

Roland has been at the forefront of advanced machine manufacturing for over 35 years, providing practical and reliable technology with unmatched service and support. DGSHAPE, A Roland Company further delivers on this reliability promise but also improves user experience, making it incredibly easy for labs to produce high quality, cost effective dental prosthetics while improving workflow efficiencies.

Premier Authorized Distributor



ETI DIGITAL TECHNOLOGY
The Future in Dental Healthcare

Direct 714-238-1490

www.etidigitaltechnology.com

sales@etidigitaltechnology.com



FOLLOW US!

COMPLETE SUPPORT FROM OUR EXPERIENCED DIGITAL TEAM